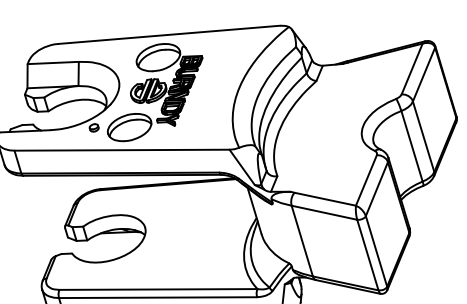
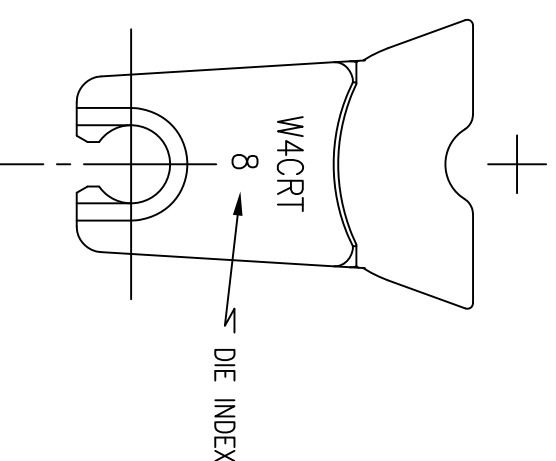
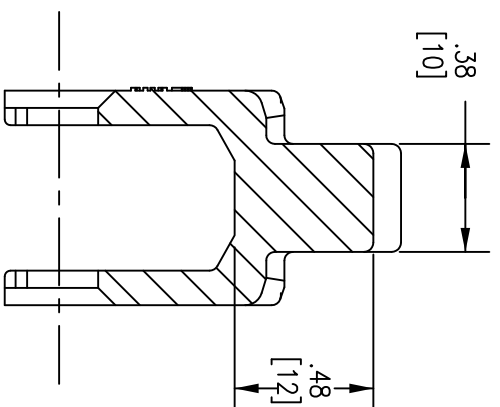
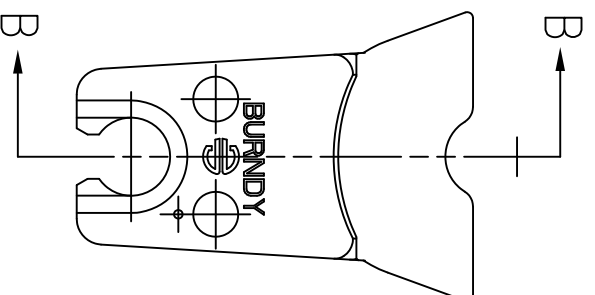
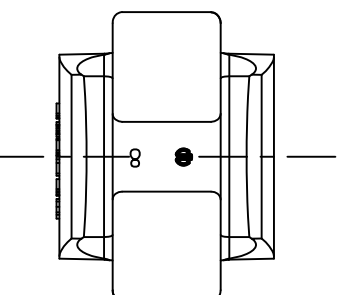


ITEM NO.	DESCRIPTION	QTY.
1	4 AWG, 8 INDEX DIE SET	1

CATALOG NUMBER	DESCRIPTION
HW4CRT	4 AWG, 8 INDEX DIE SET



- TECHNICAL NOTES:
1. DIMENSIONS IN BRACKETS [] ARE IN MILLIMETERS, ROUNDED OFF TO THE NEAREST MILLIMETER, UNLESS OTHERWISE SPECIFIED, AND ARE FOR REFERENCE ONLY.
 2. MATERIAL : STAINLESS STEEL.
 3. FITS HPAT600U AND HMD7 COMPRESSION TOOLS.
 4. SPECIFICATIONS SUBJECT TO CHANGE WITHOUT NOTICE.

REV.	ECN	DATE	DESCRIPTION	CHG BY	APPD BY
1	17987	8/13/12	INITIAL RELEASE	CG	

Created on AUTOCAD		<p>DIMENSIONING AND TOLERANCE PER ANSI Y14.5M-1982 UNLESS OTHERWISE SPECIFIED, DIMENSIONS ARE IN INCHES (MM). TOLERANCES .XX = ±.01 (.25) .XXX = ±.005 (.127) .XXXX = ±.0025 (.0635) ANGLE TOL ±1°</p>	
<p>PROJECT REFERENCE: 2011-041</p>		<p>IN ACCEPTING OUR DRAWINGS, BLUEPRINTS, OR SUPPORTING DOCUMENTATION FOR QUOTATION OR OTHER PURPOSES, YOU AGREE NOT TO DISCLOSE TO OTHERS THE IDEAS, INFORMATION, OR DESIGNS SHOWN HEREIN, AND THAT YOU WILL MAKE NO USE OF SAME WITHOUT PERMISSION</p>	
<p>MATERIAL: SEE NOTES</p>		<p>DRAWN BY: C. GRIBBLE 8/13/12</p>	
<p>APPROVED BY:</p>		<p>CHECKED BY:</p>	
<p>SCALE: 1/1</p>		<p>SHEET 1 OF 1</p>	
<p>SIZE: C</p>		<p>DRAWING NO. HW514126C</p>	
<p>TITLE: DIE SET, 4 AWG, 8 INDEX W DIE SET FAMILY</p>		<p>Hubbell Hubbell Premise Wiring HUBBELL INCORPORATED (Delaware) 23 CLARA DRIVE, SUITE 103 MYSTIC, CT 06355</p>	
<p>REV. 1</p>			